

XAL JUST 45 MOVE IT 45

050-0131538M

PROJECT

TYPE

NOTES

QUANTITY

DATE

GENERAL

732 lm

LED

3000 K

CRI \geq 90

L90 / 50000 h

OPTICAL

beam angle 22°

PHYSICAL

0 kg

tilt max 90°

rotation 360°

ELECTRICAL

11.2 W

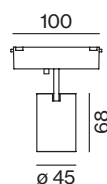
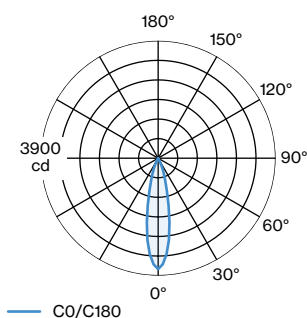
67 lm/W

PC3 48V



Cylindrical spotlight in aluminium; surface black powder coated; 360° rotatable and 90° tiltable; spotlight can be installed and moved without tools by means of magnetic holders+locking; power supplied via MOVE IT system track profile; hot plug protection; passive cooling of the LEDs through improved heat sink geometry; with COB (Chip on Board) technology for maximum efficiency; no appearance of multiple shadows; light colour 3000 K; Binning initial \leq 3 MacAdam; CRI \geq 90; min. 90% of luminous flux after 50000 operating hours; energy efficient LEDs with high CRI; good glare control through recessed light point level; incl. high quality lens system; precise radiation characteristic with 23° beam; degree of protection IP20; PC3 48V; DALI single control; flicker-free visual comfort through analogue current control (minimum value 1%);

Light Distribution



XAL

JUST 45 MOVE IT 45

050-0131538M

Cone Diagram

medium 23°

h (m)	E0° (lx)	ø (m)
1	3680	0.40
2	920	0.81
3	410	1.21
4	230	1.62
5	150	2.02

Maintenance Factors

Operating Time [h]	10 000	20 000	30 000	40 000	50 000
LLMF	0.97	0.96	0.95	0.93	0.92
LSF	1	1	1	1	1

MF	LMF × RSMF × LLMF × LSF	RSMF ^a	Room Surface Maintenance Factor
MF	Maintenance Factor	LLMF	Lamp Lumens Maintenance Factor
LMF ^a	Luminaire Maintenance Factor	LSF	Lamp Survival Faktor

^a According to "CIE 97, Maintenance of indoor electric lighting systems", 2005, ISBN 3-900-734-34-8. The values must be determined by the planner.

Optical

HONEYCOMB LOUVER

TYPE	Ø-H (MM)	ORDERCODE
JUST 45	ø42.3	0 0 7 - 1 9 6 5 1 8 8
JUST 55	ø50.3	0 0 7 - 1 9 6 5 1 9 8